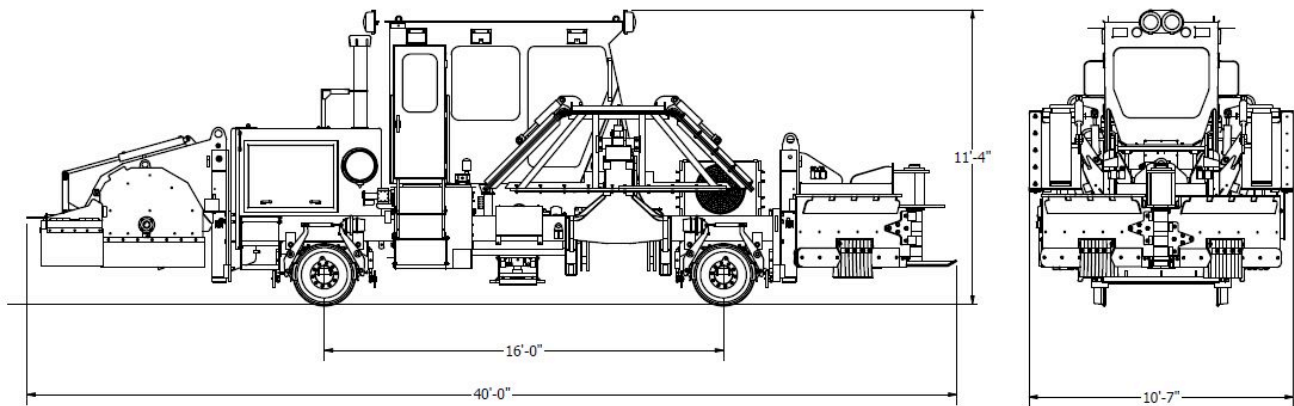
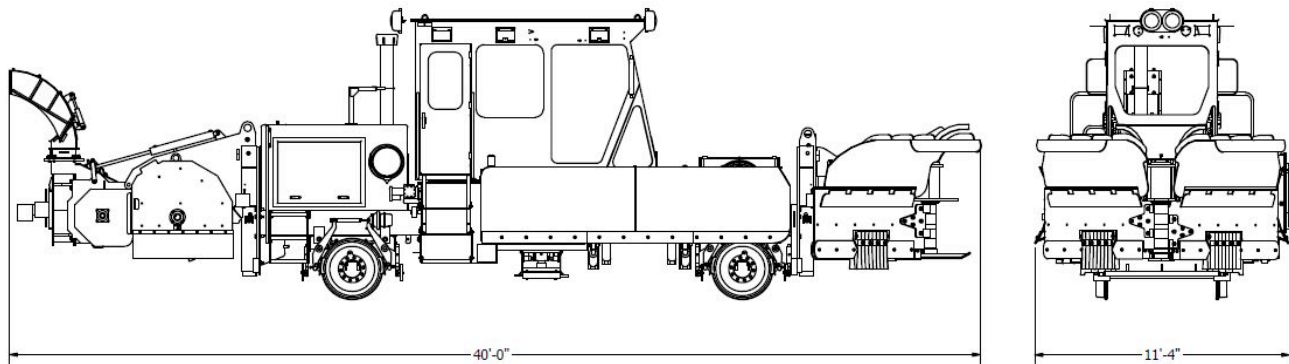


# Knox Kershaw Inc.

## KSF940 Snow Fighter



***Shown with Ballast Equipment***



***Shown with Snow Equipment***

Knox Kershaw's KSF940 Snow Fighter is a powerful track dressing machine. It comes equipped with a 4-season type plow, snow wings, and a snow switch cleaner/broom attachment. It also includes 36" fixed ballast wings and broom deflector for ballast operation. The machine features a rear mounted engine and a spacious, high visibility cab with unique window placement and hydraulic tilting function. Machine meets or exceeds all FRA requirements.

**Operating Weight:** 50,000 lbs. (22,727 kg).

**Engine Assembly:** 24 volt Cummins QSB6.7, 260 hp, with Funk double pump drive, hydrostatic and vane pumps for propelling, broom and controls. Fiberglass engine enclosure with hinged doors.

**Drivetrain:** AWD with Funk six speed power shift transmission controlling "truck style" axles and 28" insulated wheels.

**Capacities:** Fuel Tank: 110 gal (416 L); Hydraulic Tank: 105 gal (397 L) with electric replenishment pump.

**Brakes:** Clasp type air applied brakes on all four wheels with composition shoes. Service brakes are air applied, spring released. Parking brakes are spring applied, air released.

**Standard Equipment:** Turntable, electric replenishment pump, air dryer, remote mounted oil cooler, dual 8-D batteries, travel alarm timer, Espar diesel fired engine block heater, Arctic Fox hydraulic tank heater, Hydrex-XV all season hydraulic oil.

# **Knox Kershaw Inc.**

## **KSF940 Snow Fighter**

**Cab:** Hydraulically tilting cab with joystick hydraulic controls; climate controlled with wall mounted hydraulic driven air conditioner and pressurizer; sound insulated; comfortable operator's seat with mechanical suspension and swivel base; jump seat; green tinted vented windows; front, rear and side electric wipers; air horns; heated west coast mirrors; rear view mirrors; insulated floor mat, complete LED lighting package (perimeter, work lights; locomotive style headlights), 12V radio circuit and power outlet, cab door positive latch, Cab features a "clean roof" design with no components mounted on the roof.

**Options:** Second Operator seat; second jump seat, Airtronic cab heater, danger live track belt.

**Single Pass Plow:** 4-Season type plow distributes ballast or snow from shoulder to shoulder over full length of tie with one pass. Bolt on curls allow conversion for snow removal.

**Options:** V-Type snow plow

**Insulated Broom/Snow Switch Cleaner:** Sweep width – 110" (2794 mm); reversible; single motor chain drive. Auger has independent belt drive. Auger motor and broom motor are series driven. Independently driven two-stage blower discharges snow 20 feet to either side. Deflector includes high performance baffles for quick transfer of excess ballast to the track shoulders.

**Options:** Step kit.

**Ballast Wings:** 1.5 cu.yd. capacity; T-1 steel construction; 36" (914 mm) wide; designed for free flow of ballast. Wing template doors reach out to 13'-0" (3962 mm) from centerline of track to reclaim ballast.

**Options:** Variable width, articulating template doors.

**Snow Wings:** Tall 36" (914 mm) high capacity wing blades clear snow to a distance of 16'-0" (4877 mm) from track center.

**Options:** Step Kit.

**Optional Equipment:** Toolbox; tool kit; engine oil pan heater; high pressure filtration for broom. Other options available upon request. Machine can be customized for special clearances and other application issues.